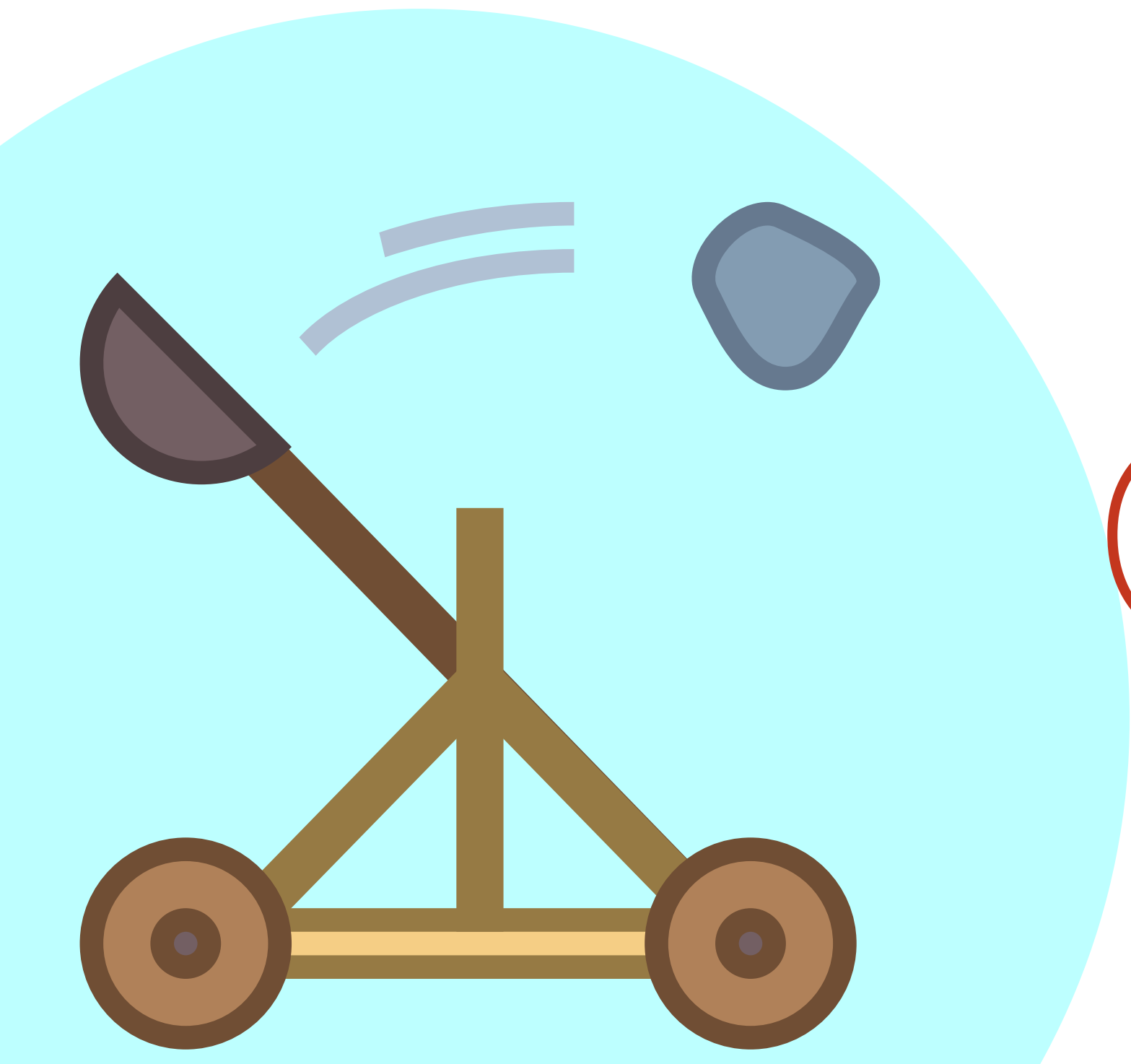
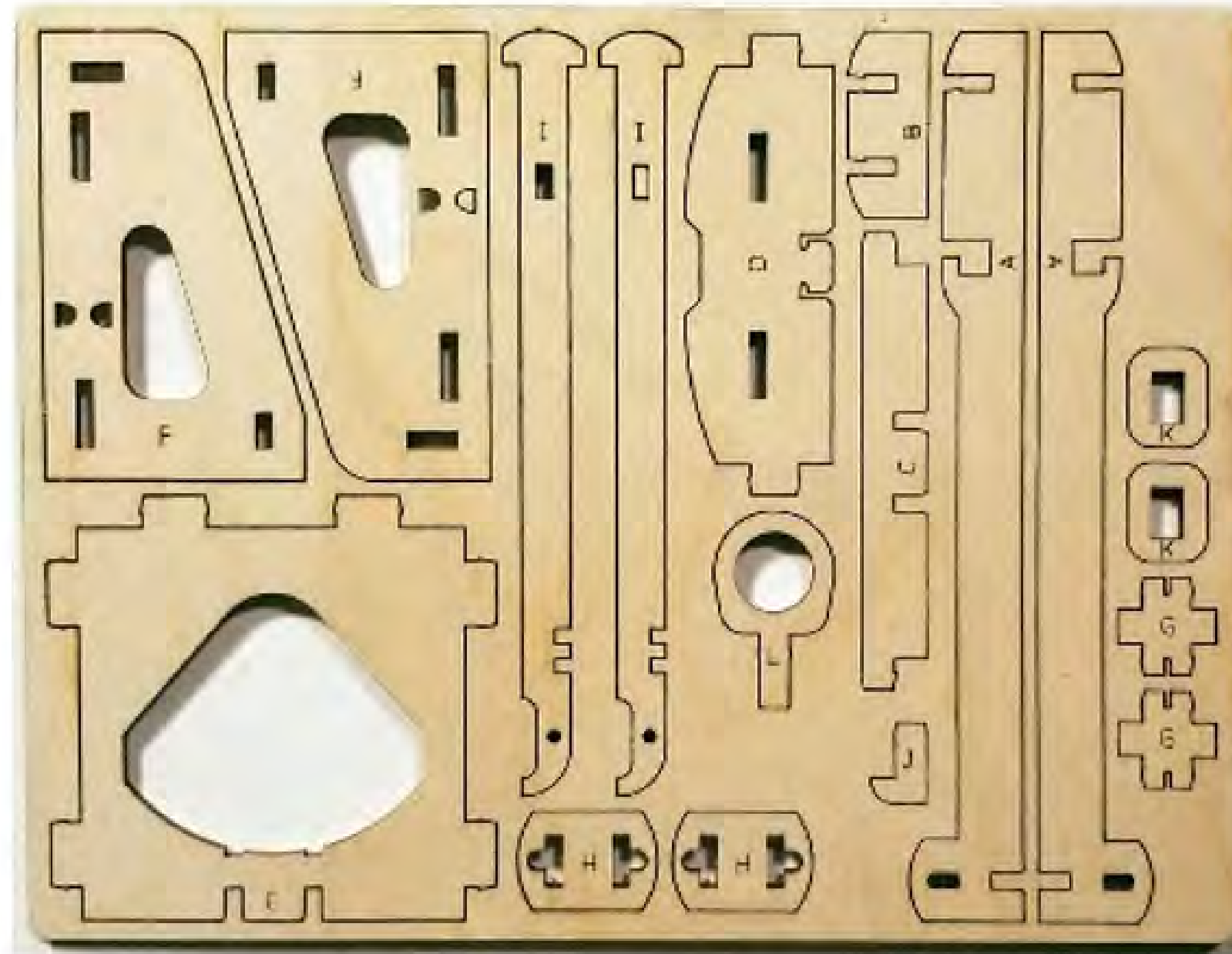


FORCES REINFORCED





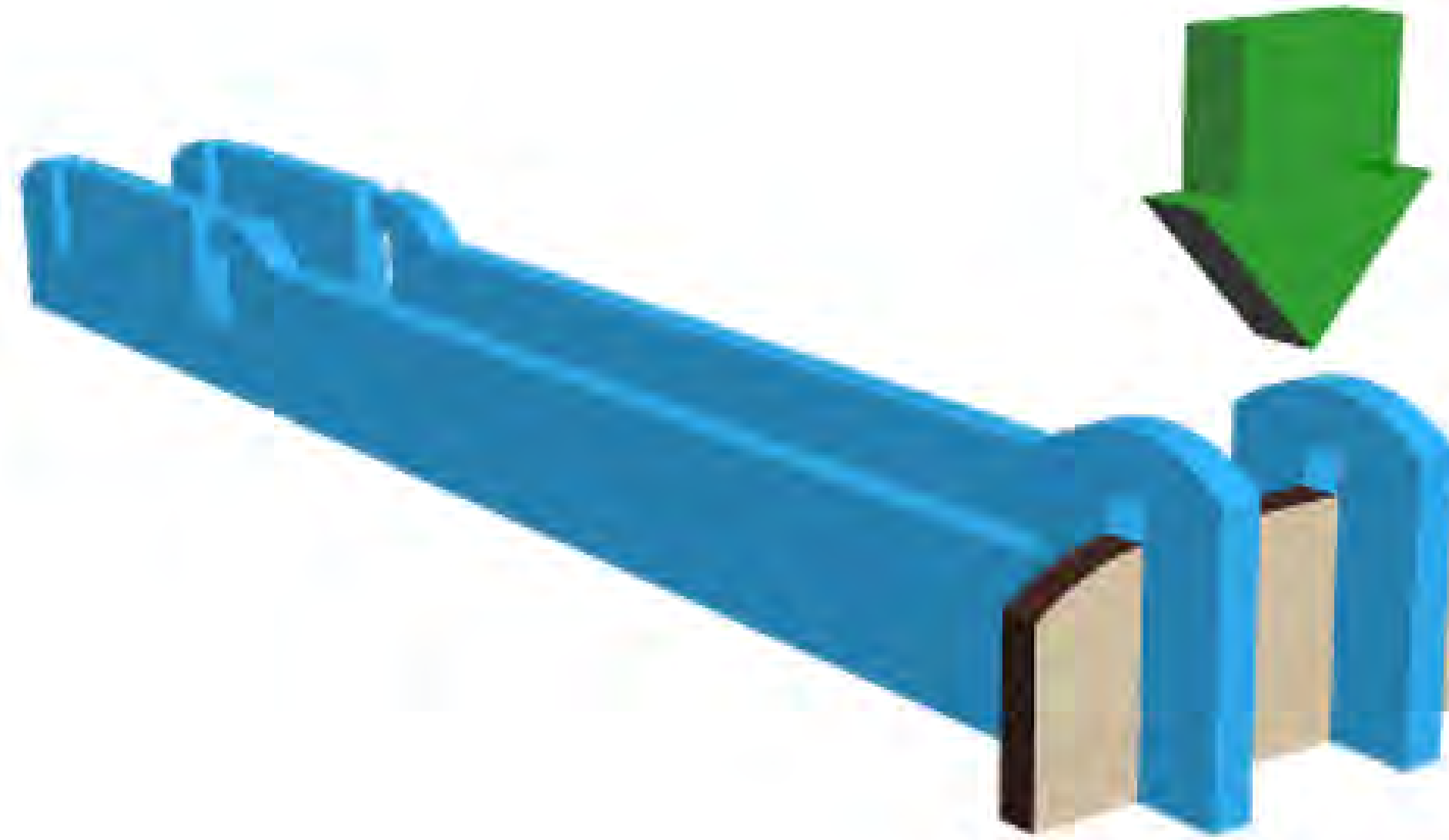
BUILD A
CATAPULT



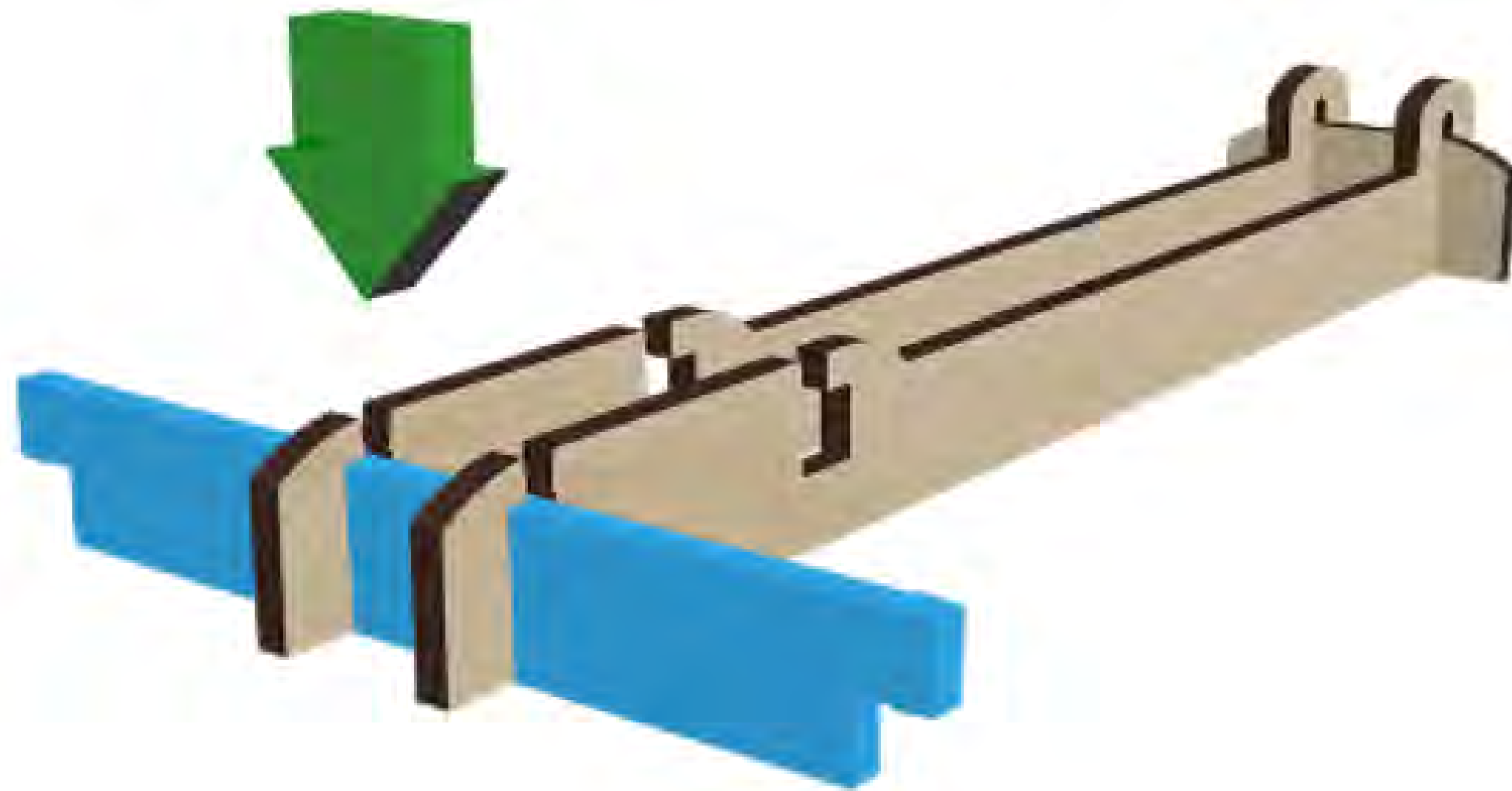
1. Remove all pieces of the catapult from the frame. Keep the pieces safely in front of you and recycle the empty frame.



2. Use sandpaper to remove any sharp splinters from the wood.



3. Press pieces **A** (x2) into piece **B**.



4. Press part **C** fully onto both part **A** pieces.



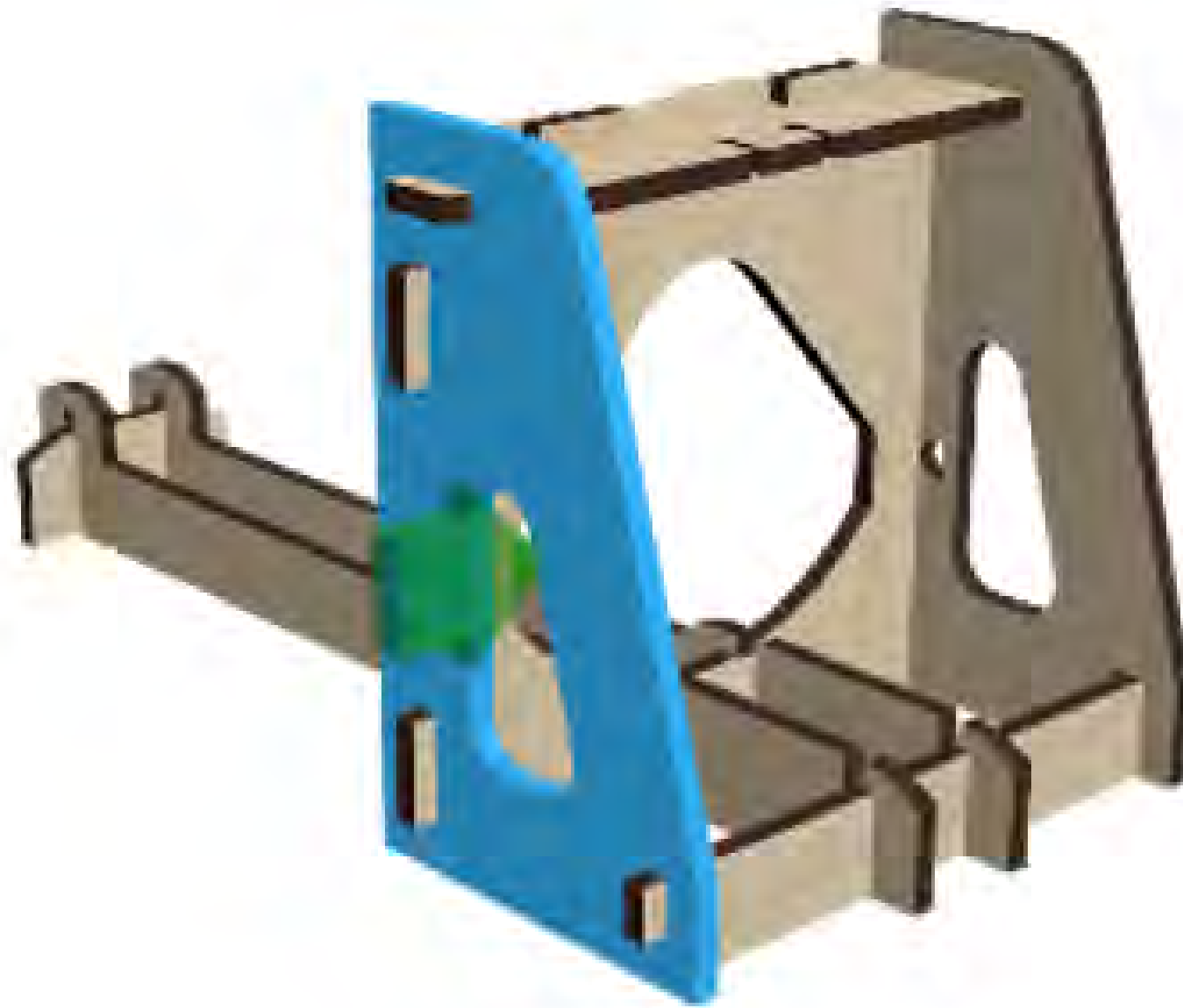
5. Press part **D** into part **E**.



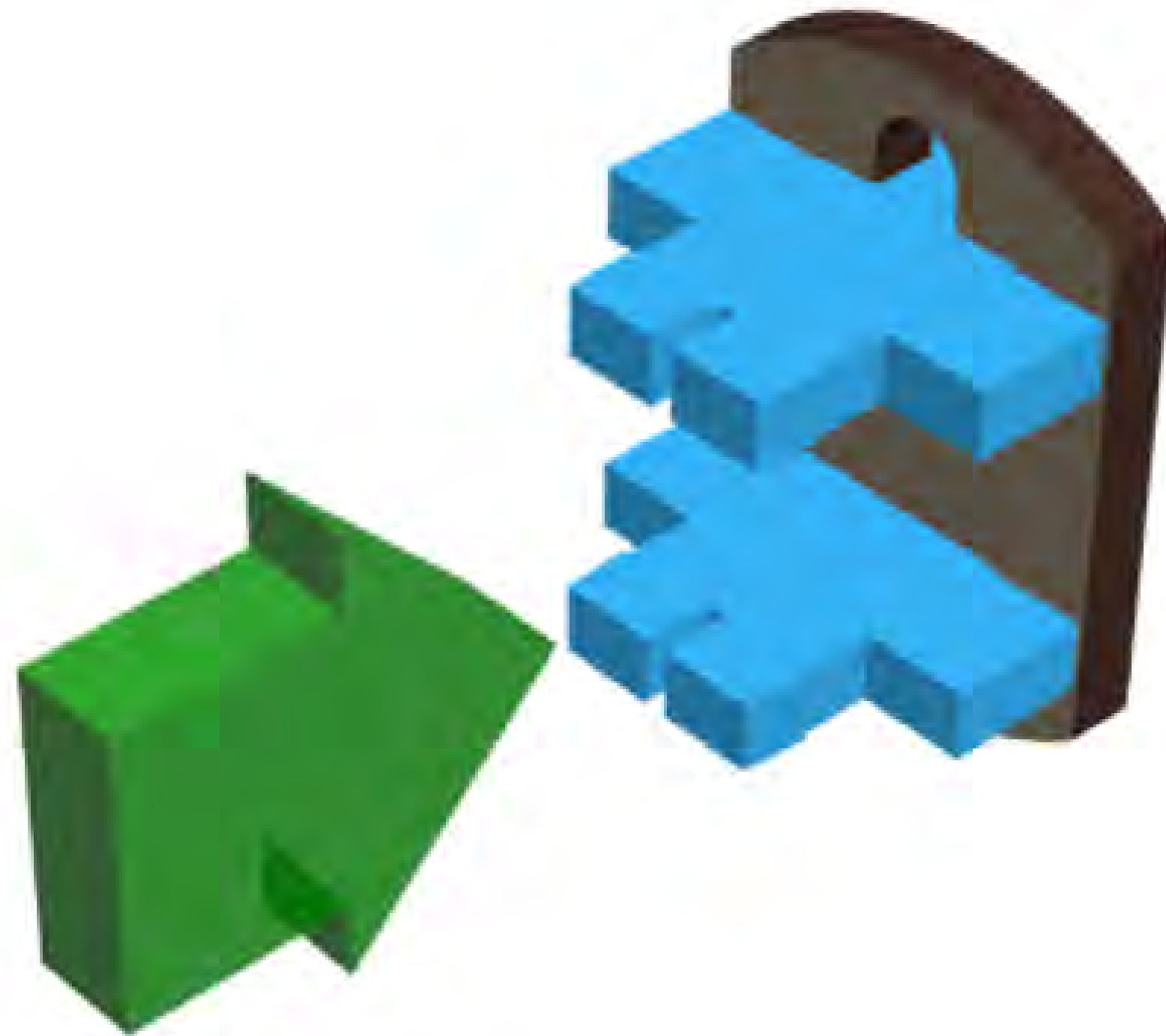
6. Slip part **E** onto both part **A** pieces.



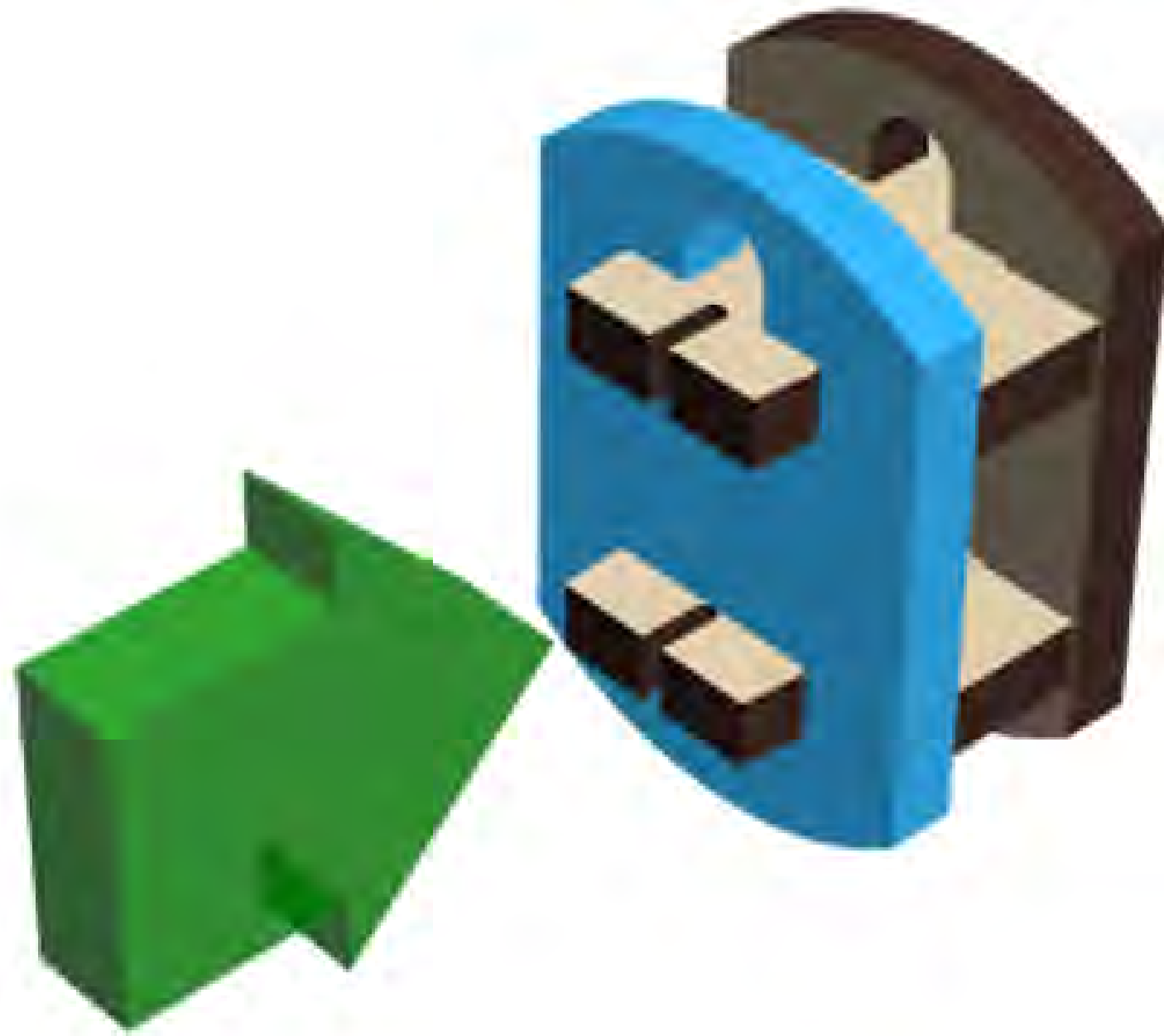
7. Press part **F** onto part **D**, part **E** and part **C**.



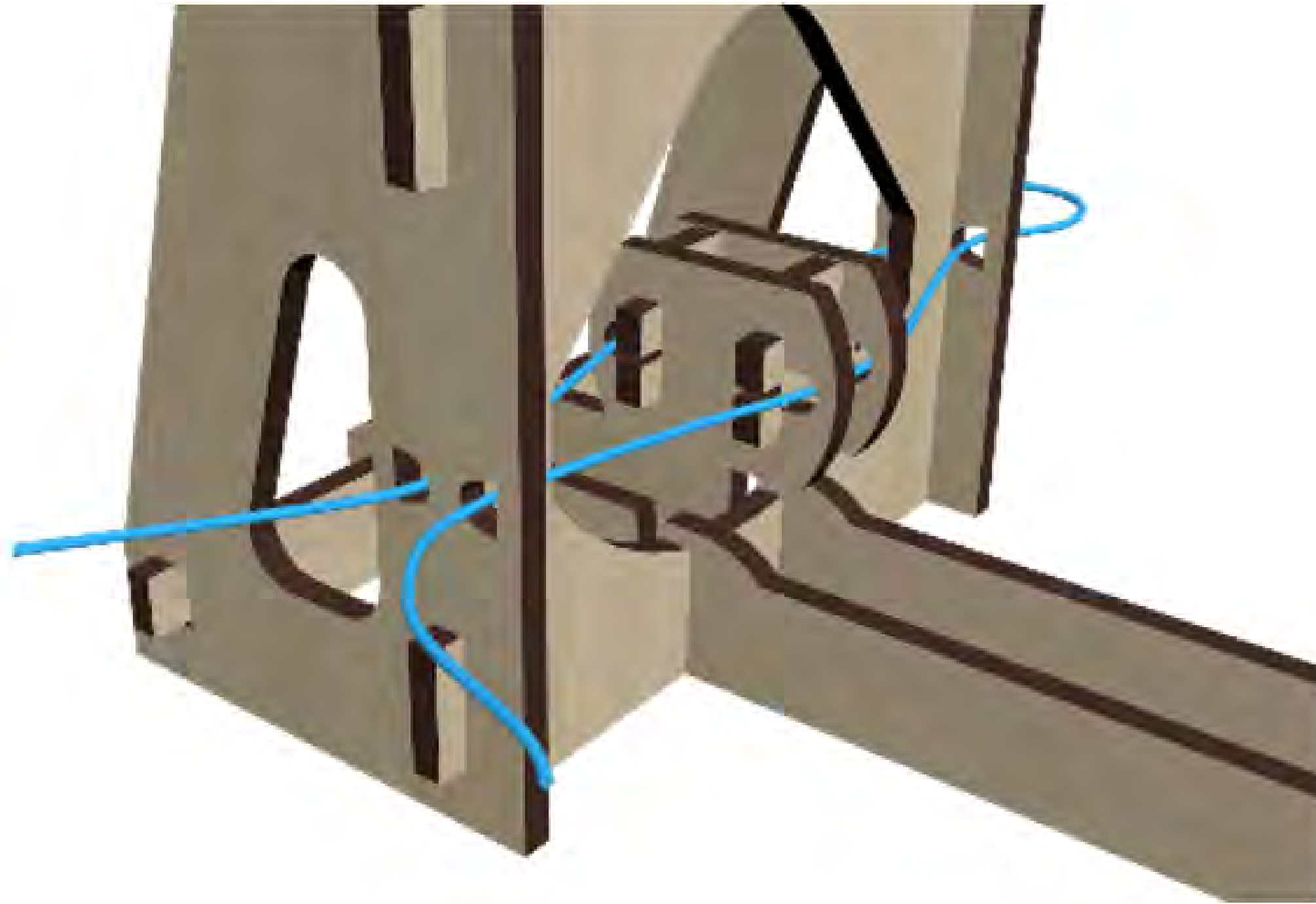
8. Repeat on the other side.
This completes the frame.



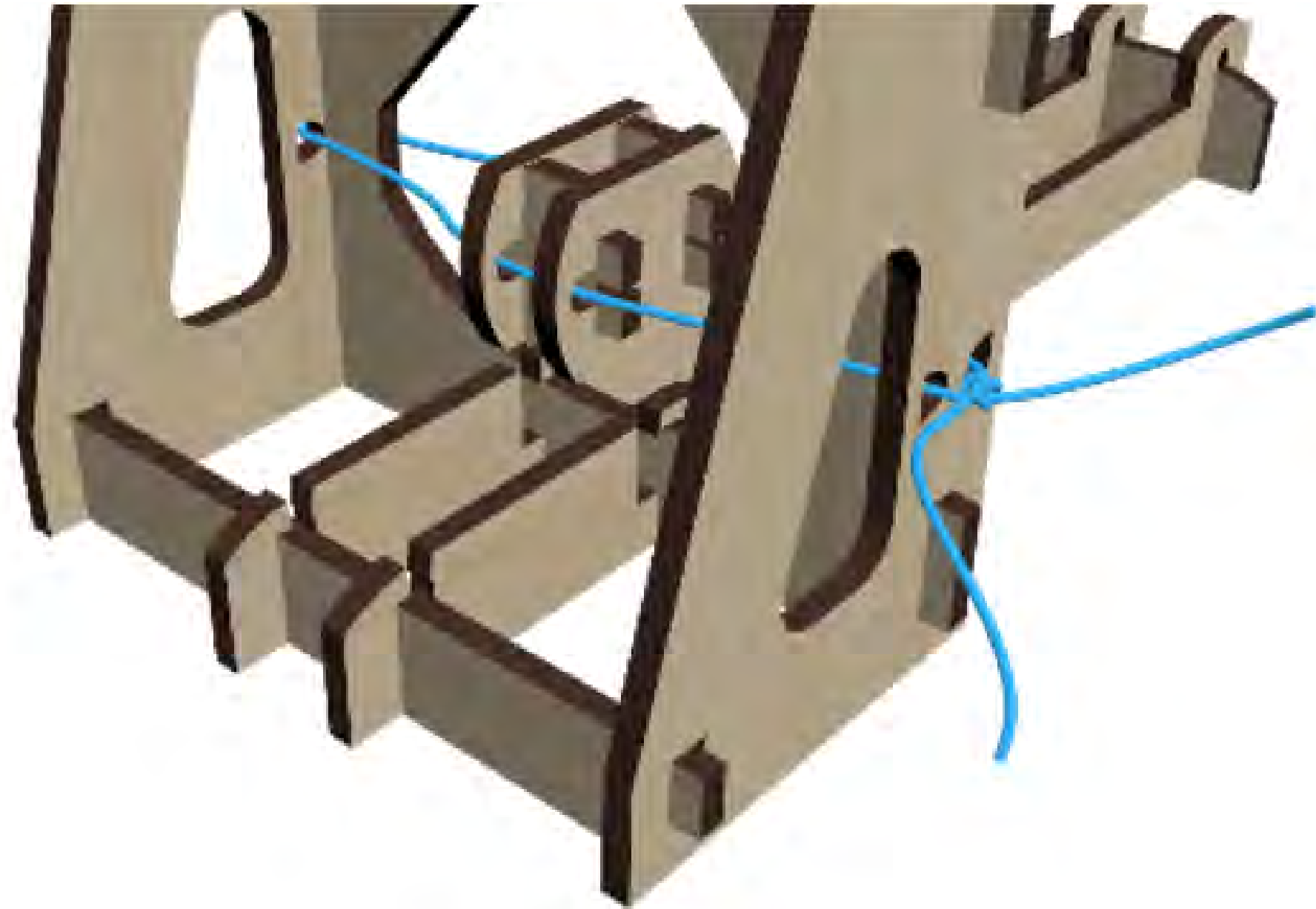
9. Press two part G pieces into part H.



10. Press the second part **H** onto the two part
G pieces. This completes the pivot.



11. Thread the cord through the frame and pivot as shown.



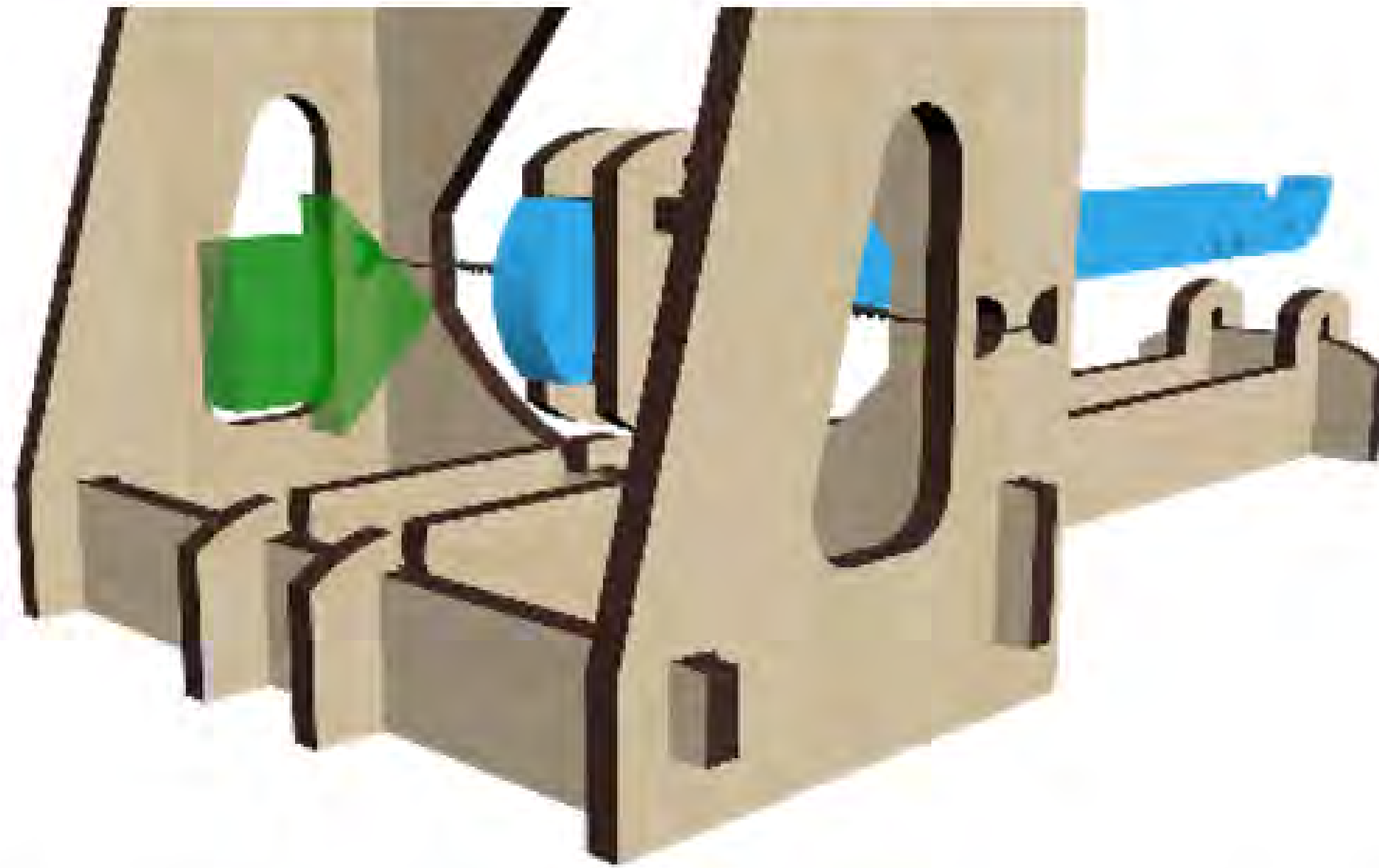
12. Tie the cord ends with a double knot. It is not important to get the cord super tight.



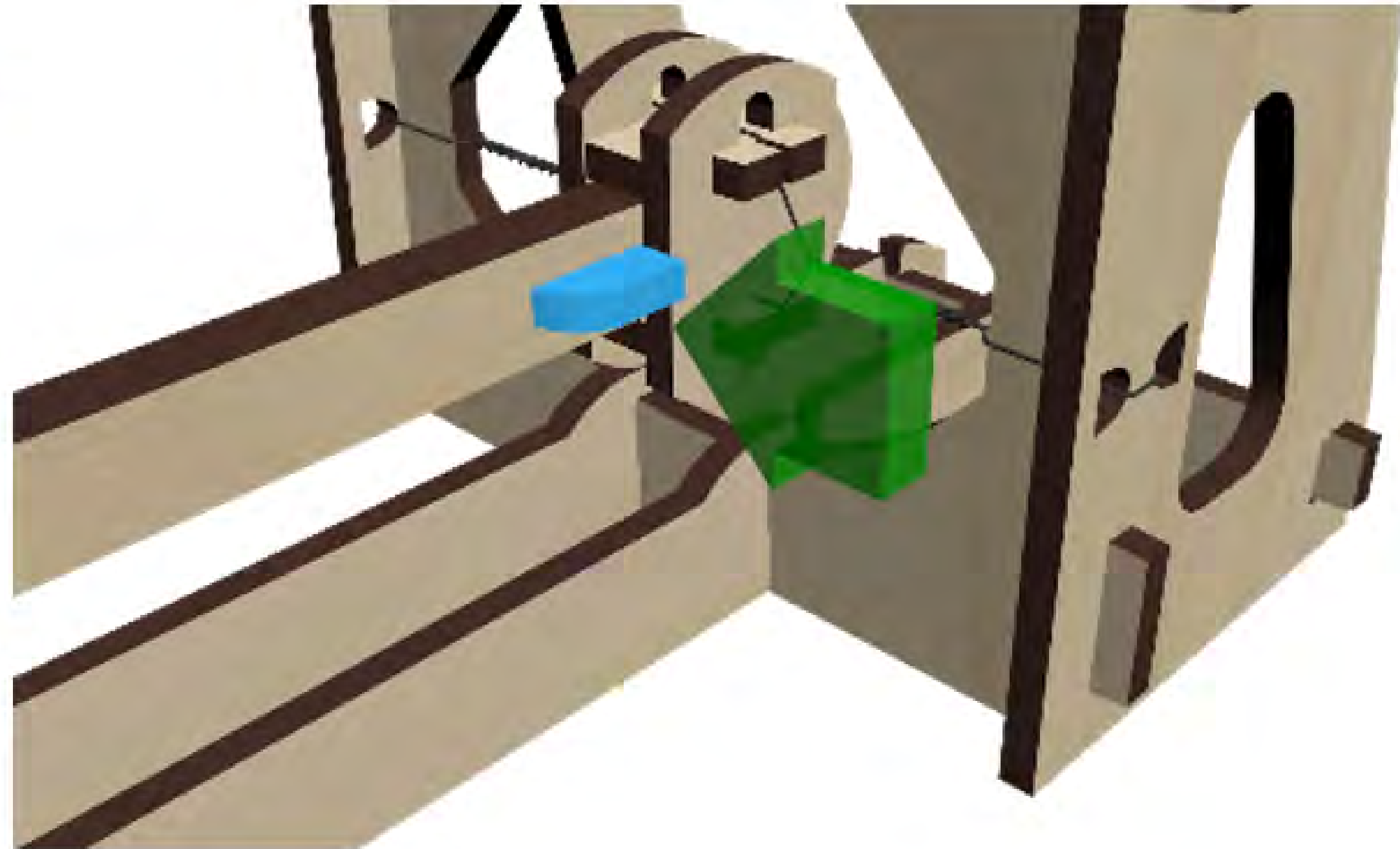
13. Take the two arm pieces, part **I**, and stack them one on top of the other.



14. Turn the pivot as shown to power up the catapult. Each turn adds more power to the catapult. Don't let go!



15. Slide the two part I pieces through the pivot.



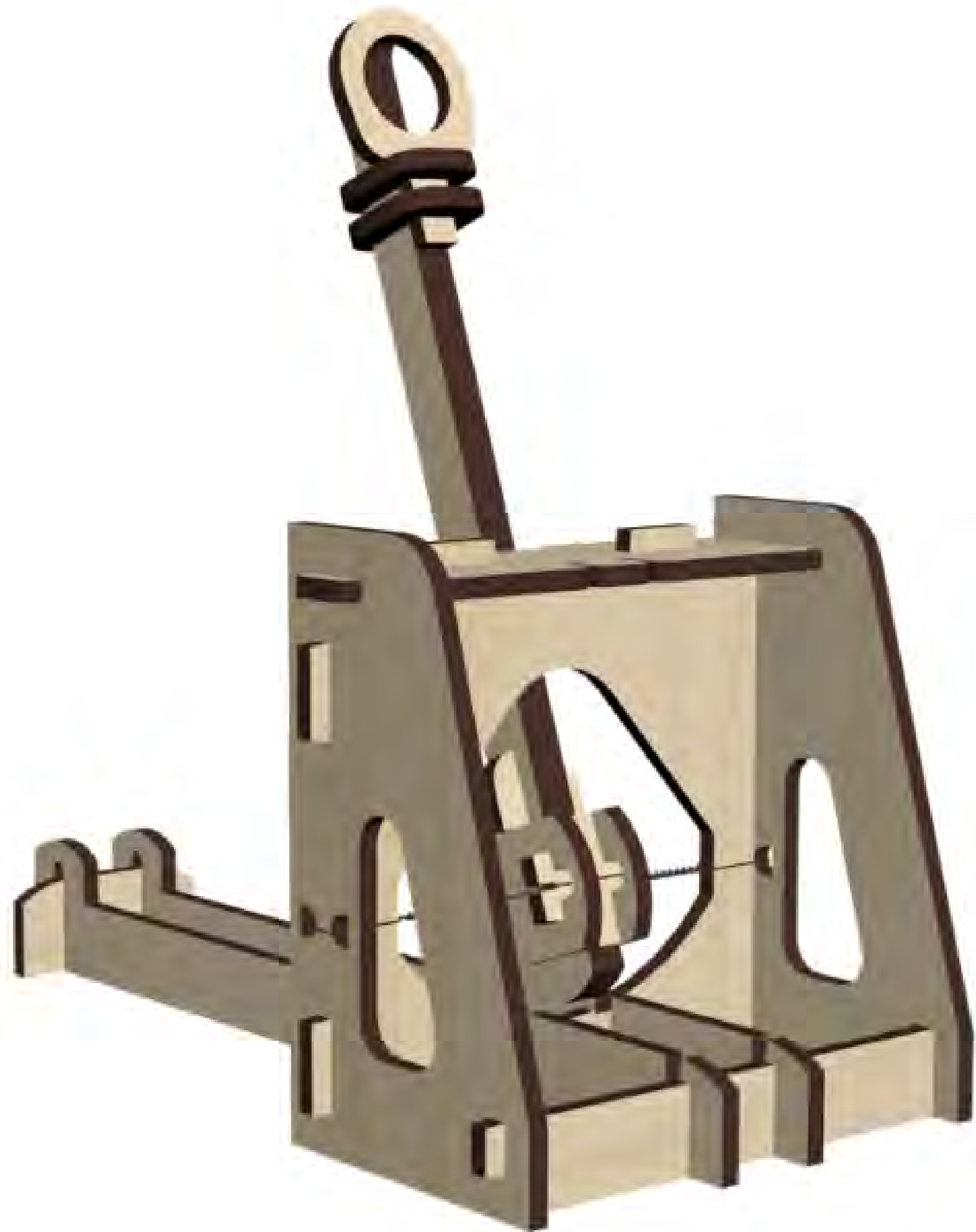
16. Press part **J** through the two part **I** pieces to lock the catapult arm on the pivot.



17. Slip the two part **K** pieces onto the two part **I** pieces and set them in the groves.



18. Press part **L** into the two part **K** pieces.
This is your catapult basket.



**YOUR CATAPULT IS
COMPLETE!**

CONGRATULATIONS

